

RETAIL PRICES UNLESS STATED OTHERWISE

		UNIT WIDTH																			
		2000	2200	2400	2600	2800	3000	3200	3400	3600	3800	4000	4200	4400	4600	4800	5000	5200	5400	5600	5800
UNIT HEIGHT	2000	2848	2967	3026	3083	3204	3324	3443	3502	3620	3544	3800	3915	3972	4164	4148	4263	4380	4435	4602	4765
	2200	2913	3028	3085	3146	3263	3376	3493	3552	3667	3742	3841	3954	4011	4122	4046	4293	4409	4465	4630	4793
	2400	3083	3202	3263	3322	3443	3563	3681	3741	3861	3922	4041	4163	4224	4348	4409	4528	4652	4713	4887	5063
	2600	3185	3306	3361	3420	3537	3656	3772	3831	3952	4009	4128	4246	4307	4424	4485	4604	4724	4783	4961	5139
	2800	3372	3493	3552	3613	3733	3856	3974	4035	4157	4215	4339	4463	4524	4644	4709	4830	4954	5017	5202	5387
	3000	3502	3620	3680	3739	3859	3974	4093	4156	4272	4331	4452	4567	4622	4739	4800	4915	5030	5087	5278	5467

Supplied as standard with:

- Remote control motor unit including two transmitters
- Emergency unlocking from inside
- Galvanised floor rail

Standard Colours:

Top rail: white, brown, metallic aluminium

For installation types see pages 3-7

Burgundy (RAL 3004)



Navy Blue (RAL 5011)



Light Beige (BS 08B17)



Brown (RAL 8014)



Cedar



White (RAL 9010)



Metallic Silver (RAL 9006)



Anthracite (RAL 7016)



Fir Green (RAL 6009)



Black (RAL 9005)



Rosewood* textured woodgrain



Mahogany* textured woodgrain



Golden Oak* textured woodgrain



All prices subject to VAT at current rate

* Surcharge of £140.00/m²



Lateral thinking

September 2012

RETAIL PRICES UNLESS STATED OTHERWISE

Installation Type	Surcharge
Type 1	No Charge
Type 2	£282.32 per unit
Type 3	No Charge
Type 4	£282.32 per unit
Type 5	POA
Type 6	POA
Type 7	No Charge
Type 8	No Charge
Type 9	No Charge

For installation types please see additional pages or speak to your account manager.

Extra's:

Window opening 50x150mm, Two super-imposed windows possible per slat CD77/SF, Vision Slat Curtain with plexiglass inserts **£17.49 per window**

Recommendations:

Light-band/window opening: installation in every forth slat in horizontal direction

Extra charges for: Special colours when change of profile

Slat coatings available in Renolit coatings see Renolit samples for Alulux **£140 per metre sq**

Coating design package:

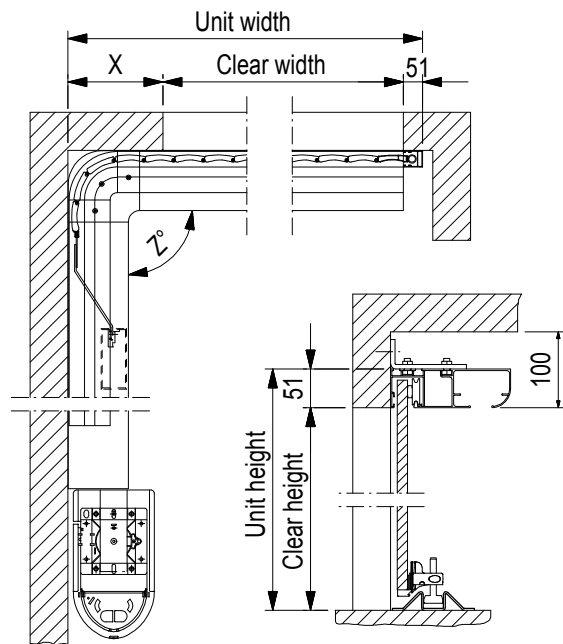
Special RAL coatings for guide channel, covers, turn radius and optional screen **£282.85 per unit**

All prices subject to VAT at current rate

Accessories Fitted In The Door	Price
Emergency safety release from outside, lockable per unit.	£114.47 per unit £80.20 (not fitted)
Multi-function interior push button station with system plug. Functions: <ul style="list-style-type: none"> • Door status display, open-closed • Permanent lighting on-off • Operator, open-stop-close 	£131.31 per unit
Surface-mounted key operated switch with system plug, 29002/M	£100.34 per unit
Flush-mounted key operated switch with system plug, 29003/M	£103.19 per unit
NCF/M, Plastic-covered number code keypad	£267.75 per unit
NCM/M, Metal number code key pad	£348.49 per unit
HS 2-M, Additional 2 command hand transmitter, 868 MHz	£86.70 per unit
HS 4-M Additional 4 command hand transmitter, 868 MHz	£145.64 per unit

VERTICO

Different installation types



Z	min. X
89,0°-91,0°	130

Type 1:

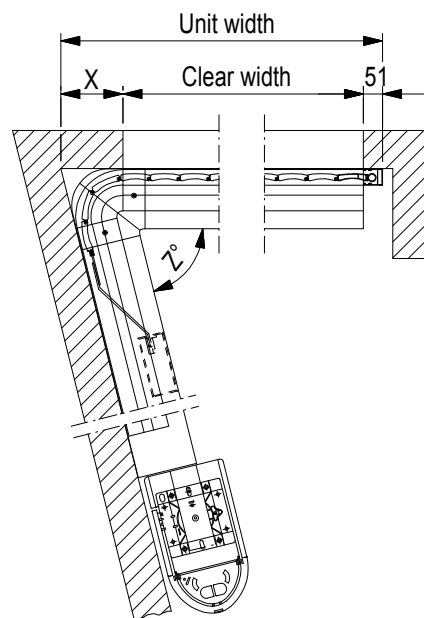
- Motor on wall side
- Single angle
- Angle at 90°

Maximum clear width	5620
Maximum unit width	6100
Maximum unit height	3050

Clear width	Required space wall side
- 2400	3485
2401 - 3000	4120
3001 - 4320	5410
4321 - 5620	6750

Standard dimensions

Minimum required space wall side= Clear width + 1100



Z	min. X
75,0°-77,0°	164
77,1°-79,0°	158
79,1°-81,0°	152
81,1°-83,0°	147
83,1°-85,0°	142
85,1°-87,0°	137
87,1°-88,9°	132
91,1°-93,0°	123
93,1°-95,0°	119
95,1°-97,0°	115
97,1°-99,0°	111
99,1°-101,0°	107
101,1°-103,0°	103
103,1°-105,0°	99
105,1°-107,0°	96
107,1°-109,0°	92
109,1°-110,0°	89

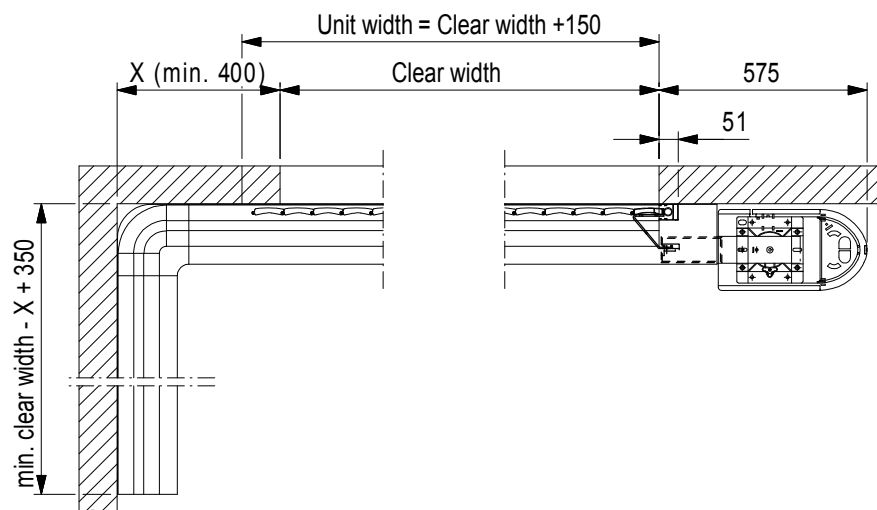
Type 2:

- Motor on wall side
- Single angle
- Angle different than 90° (75°-110°)

Extra charge:

VERTICO

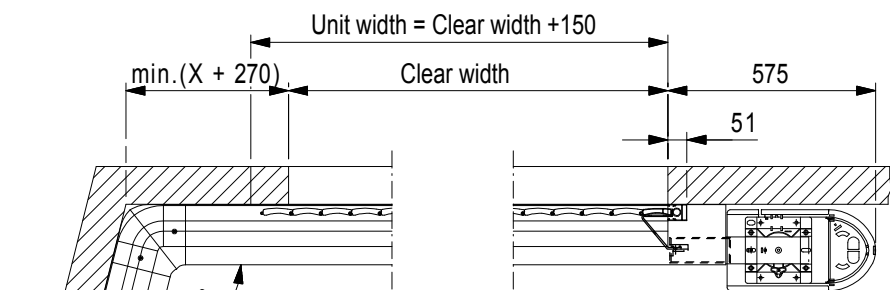
Different installation types



Type 3:

- Motor on closing side (closing edge)
- Single angle
- Angle at 90°

Without extra charge



Type 4:

- Motor on closing side (closing edge)
- Single angle
- Angle different than 90° (75°-110°)

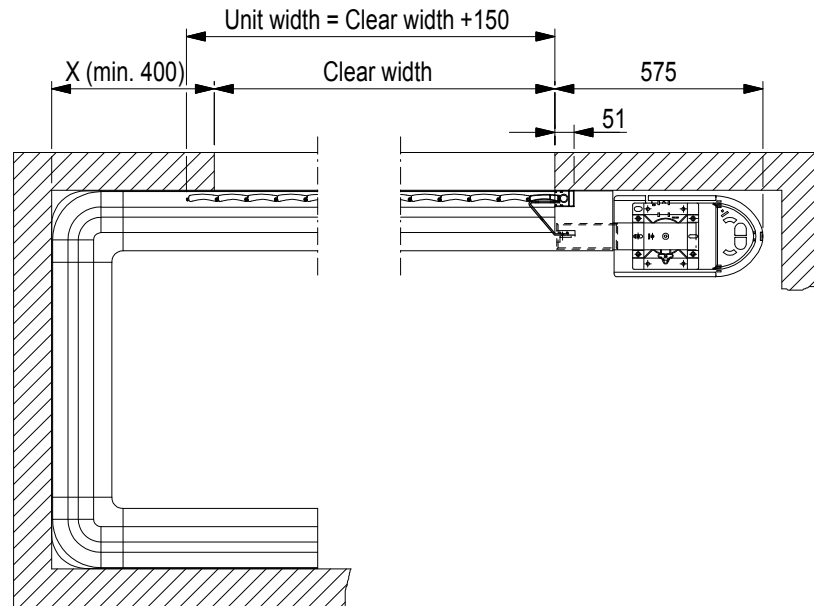
Extra charge:

Z	min. X
75,0°-77,0°	164
77,1°-79,0°	158
79,1°-81,0°	152
81,1°-83,0°	147
83,1°-85,0°	142
85,1°-87,0°	137
87,1°-88,9°	132

Z	min. X
91,1°-93,0°	123
93,1°-95,0°	119
95,1°-97,0°	115
97,1°-99,0°	111
99,1°-101,0°	107
101,1°-103,0°	103
103,1°-105,0°	99
105,1°-107,0°	96
107,1°-109,0°	92
109,1°-110,0°	89

VERTICO

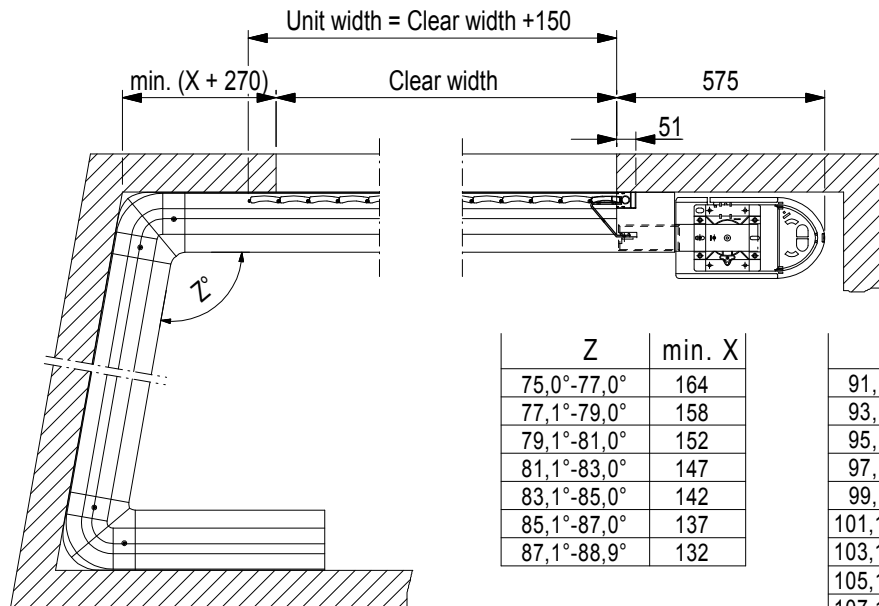
Different installation types



Type 5:

- Motor on closing side (closing edge)
- Double angle
- Angle at 90°

Extra charge:



Type 6:

- Motor on closing side (closing edge)
- Double angle
- Angle different than 90° (75° - 110°)

Extra charge:

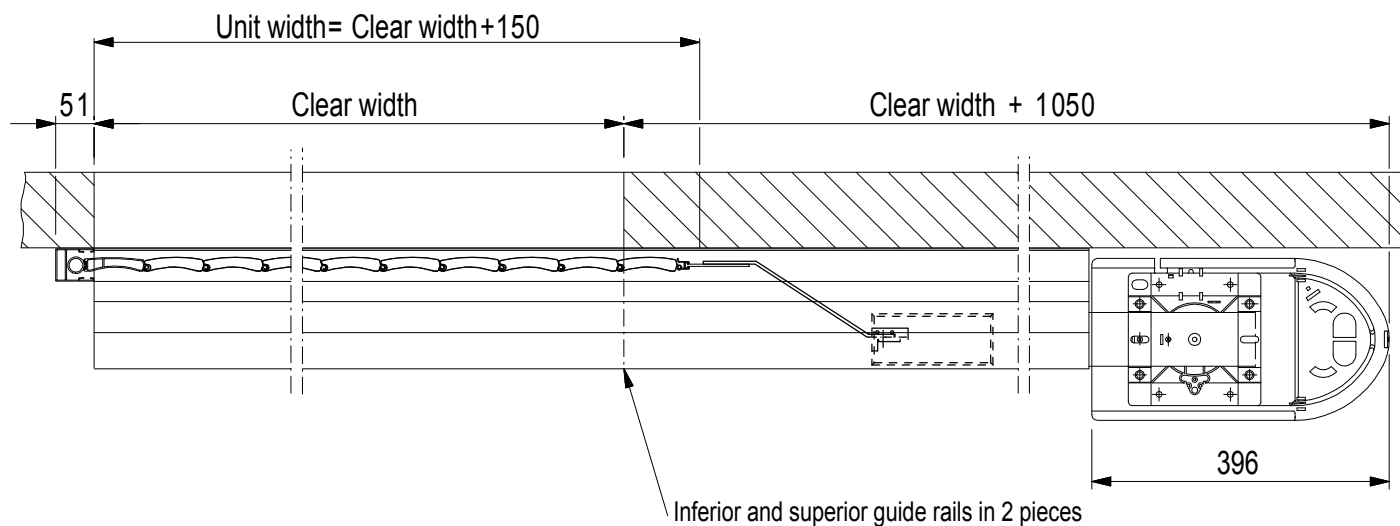
Z	min. X	Z	min. X
75,0°-77,0°	164	91,1°-93,0°	123
77,1°-79,0°	158	93,1°-95,0°	119
79,1°-81,0°	152	95,1°-97,0°	115
81,1°-83,0°	147	97,1°-99,0°	111
83,1°-85,0°	142	99,1°-101,0°	107
85,1°-87,0°	137	101,1°-103,0°	103
87,1°-88,9°	132	103,1°-105,0°	99
		105,1°-107,0°	96
		107,1°-109,0°	92
		109,1°-110,0°	89

VERTICO

Different installation types

Type 7:

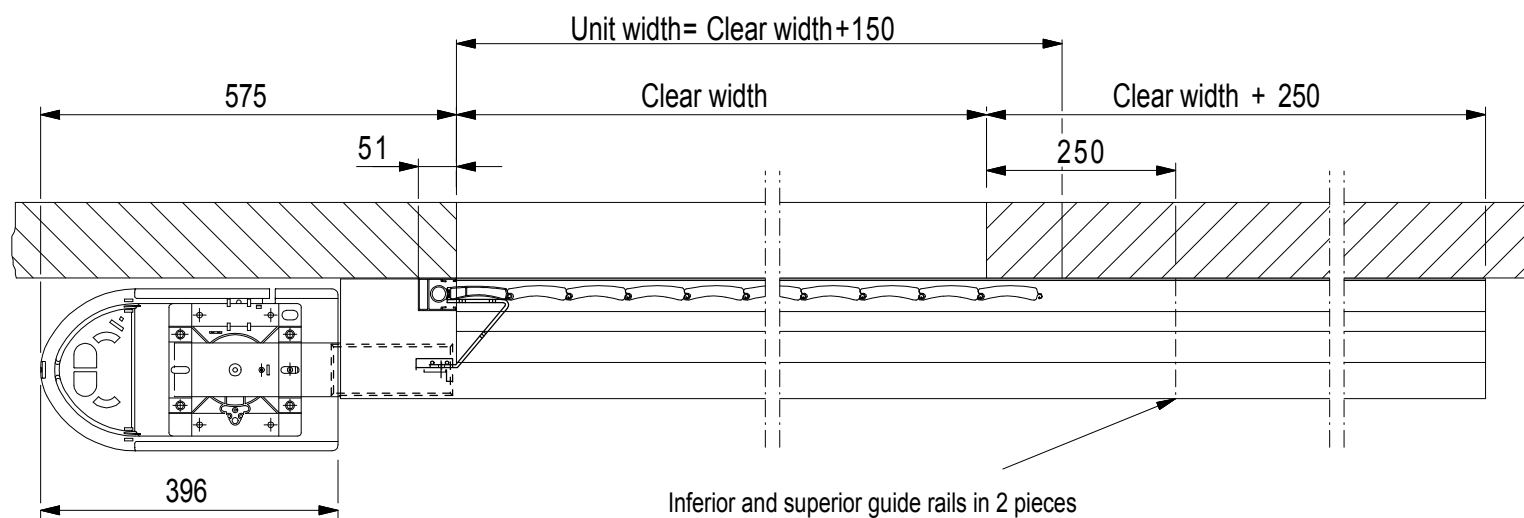
- Motor on closing side
(placed opposite to the closing edge)
- Without angle



Without extra charge

Type 8:

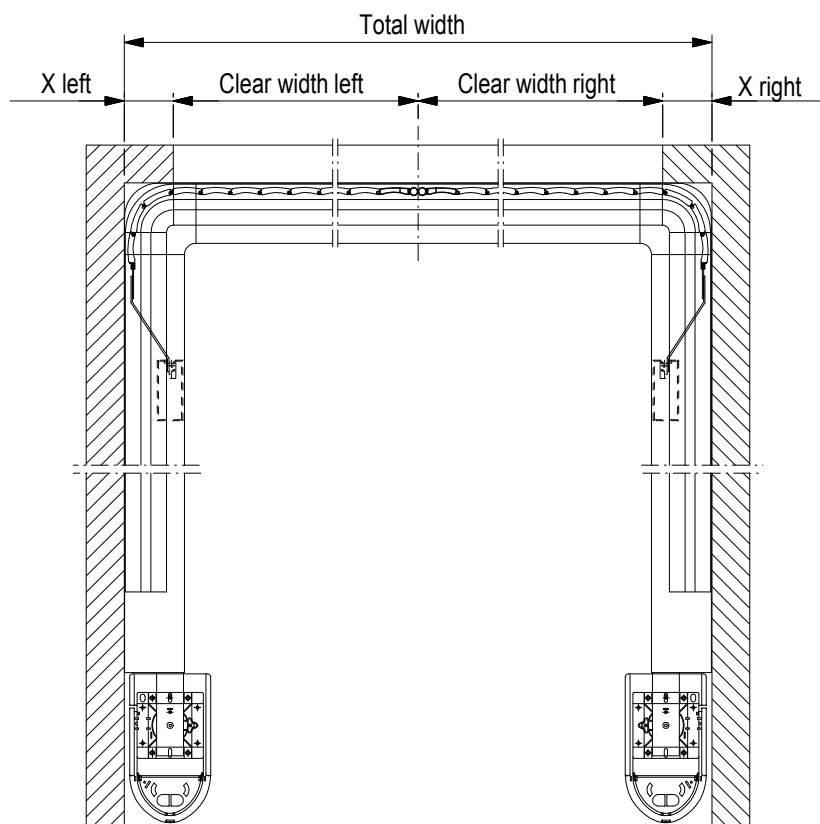
- Motor on closing side
(closing edge)
- Without angle



Without extra charge

VERTICO

Different installation types



Type 9:

- Corresponds to 2 x type 1

Type 10:

- Corresponds to 1 x type 1 and 1 x type 2

Type 11:

- Corresponds to 2 x type 2

Standard: Guide rails in 2 pieces in the opening

Option: Guide rails in 1 pieces in the opening
(only possible with a maximum total width of 6100 mm)